

Quick Guide

NOTE: This product must only be installed by a qualified person.

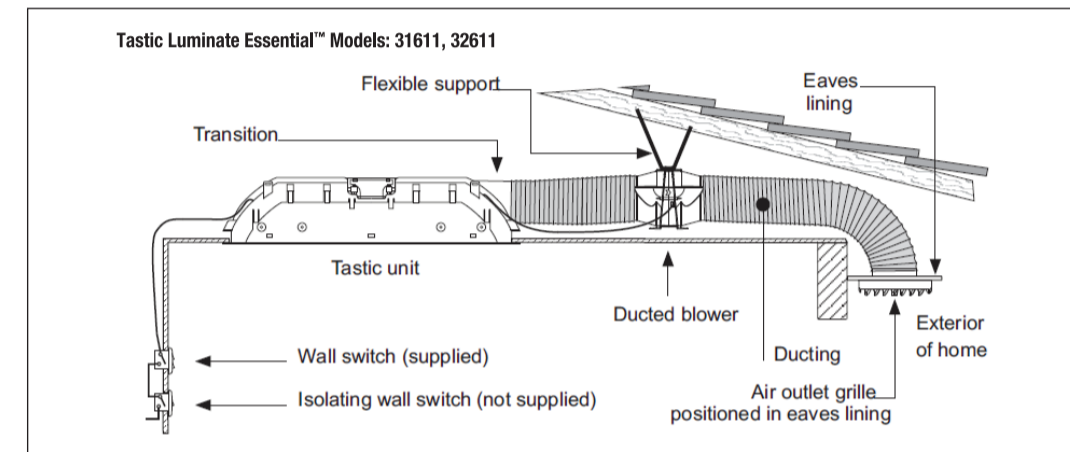
- Determine the placement of the unit**
 - Ensure clearance to joists, beams etc. in ceiling
 - Use these instructions for the cutout guide

Single: 332 mm x 462 mm Dual: 332 mm x 712 mm

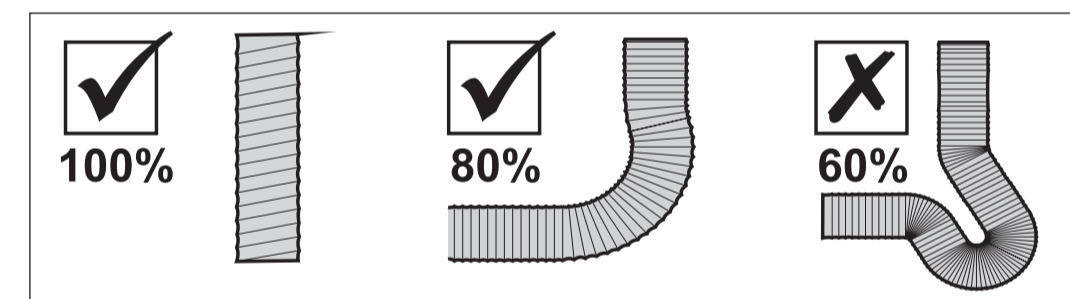


- Ducting & Transition Piece**

- Implement maximum 1m of ducting from transition piece to exhaust fan



- Ensure ducting is pulled taut
- Avoid bends and kinks as this will reduce the extraction performance



- Installation as per a standard wall switch**

- Complete Wiring**

- Connect to fan and mains unit
- Unit should be wired so that the LED and Heat **cannot** operate at the same time

Safety

Read through these instructions completely before commencing installation.



- When installed, the Tastic Luminate Essential™ appliance shall, under no circumstance, be covered with insulating material or similar material.
- This Tastic® unit must be installed horizontally in the ceiling.
- To prevent overheating do not place any object within 1 metre of heat lamps.

NOTE: This product must be installed by a qualified installer.

Locate the Tastic in accordance with the requirements of the current Australian/New Zealand Wiring Rules AS/NZS 3000 relating to damp situations. In some installations this may mean that no part of this Tastic may be located directly above any part of a bath or shower recess or enclosure. For unenclosed showers refer to Wiring Rules conditions.

Switches and other controls must not be located where they can be touched by a person in the bath or shower.

- Tastic products are not tanning lamps.
- Do not operate this appliance without the fascia or glass panels in position.
- This appliance is not intended for use by persons (including children) with reduced physical, sensory or mental capabilities, or lack of experience and knowledge, unless they have been given supervision or instruction concerning use of the appliance by a person responsible for their safety.
- Young children should be supervised to ensure they do not play with the appliance.
- This appliance must be mounted with the lowest point at least 2.2 metres from the floor.
- If the supply cord is damaged, it should be replaced by IXL Home or its service agent or a similarly qualified person in order to avoid a hazard.
- This appliance must not be mounted immediately below a socket outlet.
- Regulations concerning the discharge of air have to be fulfilled.

WARNING: Curtains or combustible material may ignite if in contact or close proximity with the heater.



In order to avoid a hazard due to inadvertent resetting of the thermal cut out, this appliance must not be supplied through an external switching device, such as a timer, or connected to a circuit that is regularly switched on and off by the utility.

Connection

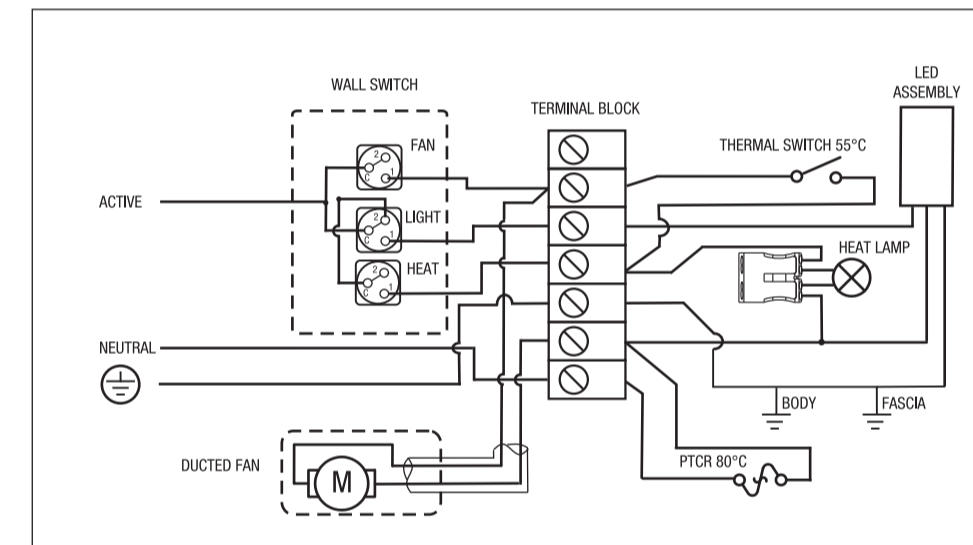


Fig. 6: Wiring diagram for model 31611

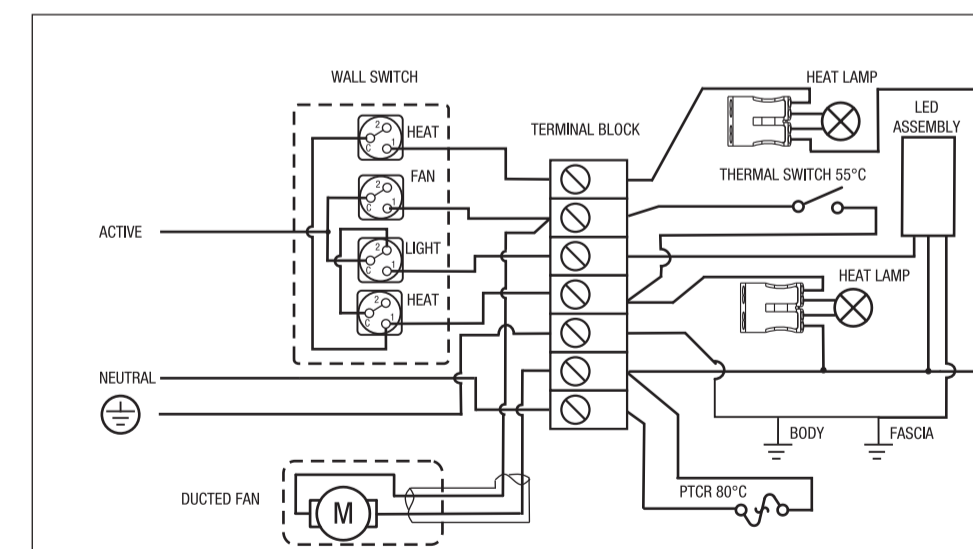


Fig. 7: Wiring diagram for model 32611

Connection

A local isolating switch (not supplied) must be incorporated in the fixed wiring to the appliance to allow disconnection of supply during maintenance.

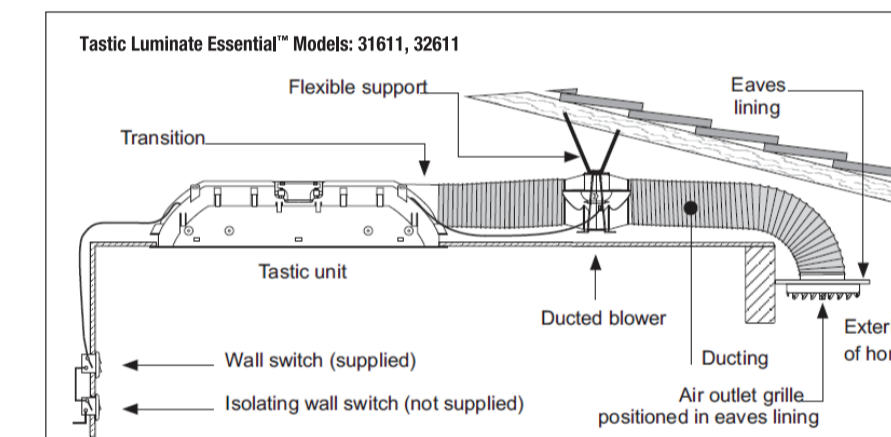
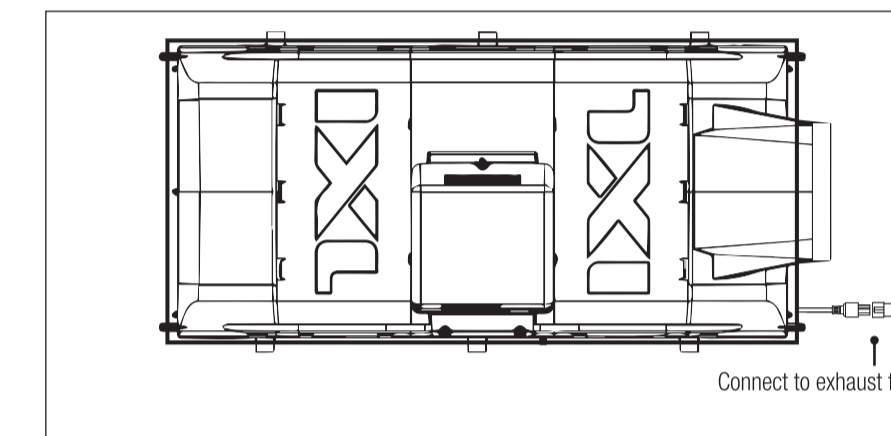
The Tastic Luminate Essential™ is classified as a room heater and as such:

In accordance to AS/NZS 3000 this isolating switch shall be -

- installed immediately adjacent to an entrance to, or within, the room where the room heater is located; or
- installed on the switchboard at which the room heater final subcircuit originates.

Refer to AS/NZS 3000 for further regulations regarding isolating devices.

The warranty does not extend to installation of the unit or any associated wiring or any damage caused by installation or wiring.



Layout of Tastic Luminate Essential™ Single and Dual.

Part number 611081 LA



© Copyright IXL Home, 2024



Service@ixl.com.au
Free Call: 0800 727 421
New Zealand

Service@ixl.com.au
Free Call: 1300 727 421
Australia
IXL Home Pty Ltd

For comments, questions or warranty matters:



Installation Guide

Tastic® Luminate Essential

Model: 31611 Tastic Luminate Essential™ Single White

Model: 32611 Tastic Luminate Essential™ Dual White

Electrical rating: 230~240 V, 50 Hz.

Tastic
Luminate Essential Single



Tastic
Luminate Essential Dual



Template: Tastic Luminate Essential™ Single - Model: 31611



Template: Tastic Luminate Essential™ Single - Model: 31611

Ventilation Requirements

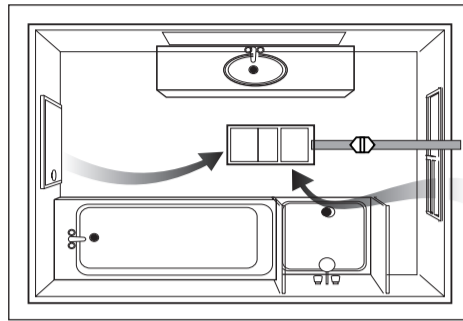


Fig. 1: Ideal placement of Tastic.

For maximum efficiency and fan performance there are a few key points to keep in mind when installing your Tastic.

Sufficient air inlet into room

Steam will only be removed if there is sufficient flow of air through the room. Ensure generous inlets exist through windows, vents or under the door. Airflow path from inlet to fan should ideally pass over the steam sources (see Fig.1)

Bathrooms which have high ceilings, are larger than average, or have an open shower may all require additional ventilation to be installed. We recommend that you visit our website for further details and suggestions on effectively ventilating your bathroom.

The room in which the appliance is installed must have an adequate source of replacement air for this appliance to function effectively. Moreover, if there is any non-sealed combustion based appliance such as a water/gas heater, gas stove etc. air replacement must be sufficient for all appliances to work effectively together.

Clearances

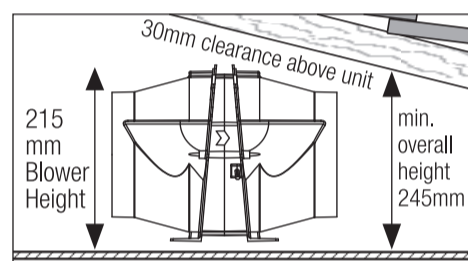


Fig. 2a: Minimum blower clearances

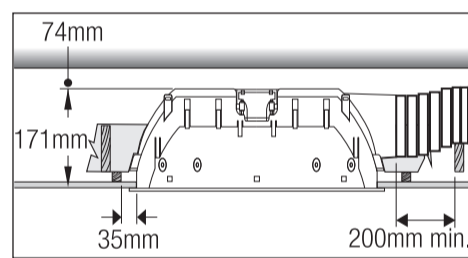


Fig. 2b: Minimum clearances for installation

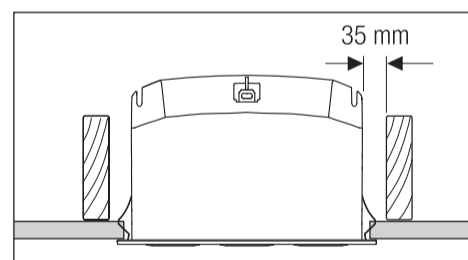


Fig. 2c: Minimum clearances to joist

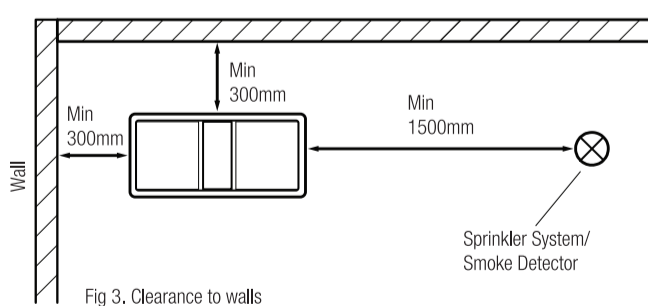


Fig. 3: Clearance to walls

Recommended Ceiling Heights

Tastic Luminate Essential™ Dual (m) = 2.7 - 3.3

Tastic Luminate Essential™ Single (m) = 2.2 - 2.7

Minimum ceiling height for all models Tastic Luminate Essential™ is 2.2m.

Ensure that the outlet of the Tastic is directed towards the outer wall.

If the desired orientation of the Tastic unit directs the ducting across ceiling joists ensure that the closest ceiling joist is not within 200 mm of the Tastic outlet.

Exhaust Fan Capacity 480m³/h

Recommended Room Size

Tastic Luminate Essential™ Single Area Suitability:
10m² with shower / 25m² without shower

Tastic Luminate Essential™ Dual Area Suitability:
10m² with shower / 25m² without shower

Based on standard 2.4m ceiling height

Installation

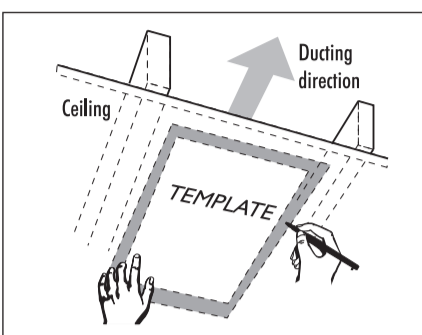


Fig. 4 : Use template to mark position of Tastic

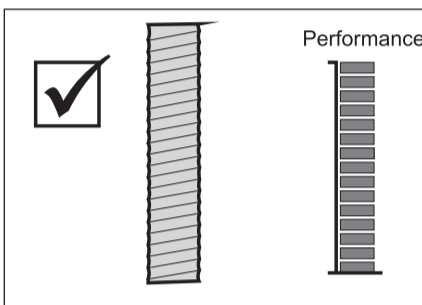


Fig. 5: Straight ducting

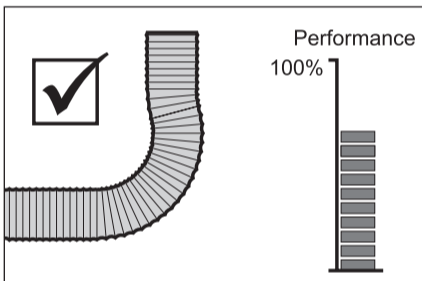


Fig. 6: Gradual bends, ducting stretched straight.

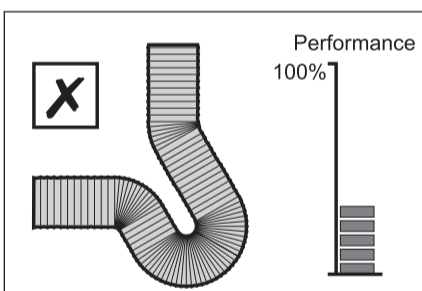


Fig. 7: Tightly compressed bends

Install between joist

IMPORTANT: Joists, beams and rafters shall not be cut or notched to install the appliance. Depending on your model, the Tastic has a weight 4.5 – 8 kg (see below). If adequate support is not available for the Tastic, it may be necessary to provide extra strengthening.

Tastic Luminate Essential™ Single – approx 4.5 kg

Tastic Luminate Essential™ Dual – approx 8 kg

If ceiling battens have been cut to install this then ensure that the cut ceiling battens are adequately secured to rafters.

NOTE: This product must be installed by a qualified installer.

1 Cut out hole for Tastic body

After determining the location of components according to the directions, mark out and cut aperture in ceiling for Tastic Luminate unit using this template. Trim the template to the dashed cut line.

Cutout Size

Tastic Luminate Essential™ Single

Size: 332 mm x 462 mm

Tastic Luminate Essential™ Dual

Size: 332 mm x 712 mm

2 Ducting

Maximum 1m length of ducting between the blower inlet and the transition. Tape remaining length of ducting to exit of blower.

Note: These products have been designed to suit 150mm dia. ducting.

Determine the minimum length of ducting required to outside exhaust vent by keeping the duct length as short as possible. For maximized exhaust performance refer to Fig's 5-7.

Installation

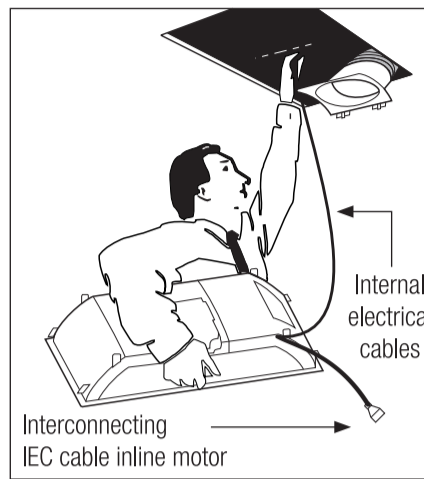


Fig. 8

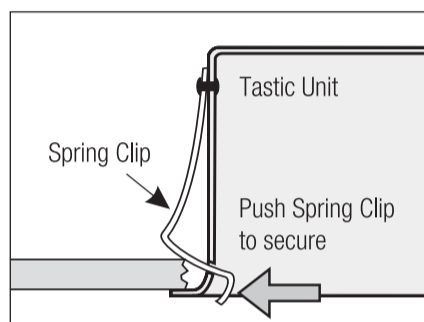


Fig. 9

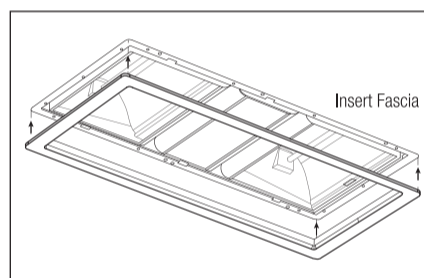


Fig. 10

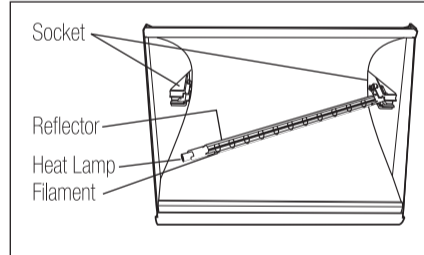


Fig. 11

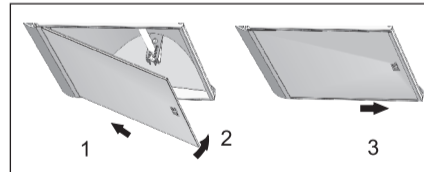


Fig. 12

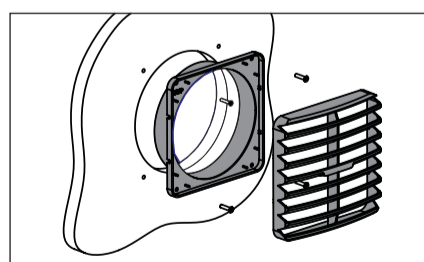


Fig. 13

Installing the Ducted Blower

NOTE: The transition is assembled to the Tastic Luminate Essential™ during final assembly before mounting into the ceiling.

- 1 Feed ducting and blower through hole in ceiling. Directing it towards the installation position of the outlet grille. Position the exhaust fan so that the short length of duct is stretched out and transition along with power supply lead is sitting next to the hole as per Fig. 8.
- 2 Connect exhaust fan IEC cable into interconnecting socket coming out from unit.

Installing The Unit

- 1 Clip transition to the Tastic body, ensuring that the ducting taped to the transition is not dislodged.
- 2 Push the body into the aperture, allowing the metal springs to snap open. As the Tastic is raised into ceiling, ensure electrical cables do not rest over Tastic.
- 3 To secure the unit in position, push lower ends of springs apart (Fig 9).
- 4 Attach fascia onto the Tastic body (Fig 10).

Fit Heat Lamps

NOTE: Natural skin oils and salts damage new halogen lamps and shorten their life. Only handle a new heat lamp with soft, dry, clean, lint-free cloth or paper. You can wear gloves, cover your fingers or wrap the heat lamp until it is installed (so long as you remove all cloth or paper when finished). If your skin touches a new heat lamp, wipe it gently with alcohol-moistened cloth or paper.

- 1 The heat lamp is half coated with a white reflector. When you grasp the heat lamp, face the back of the reflector to the ceiling (so you can see the heat lamp's filament). Not doing this will reduce performance. (Fig 11)
- 2 Fit one end of the heat lamp into a socket and gently push it away from the other socket.
- 3 When there is enough room, fit the other end of the heat lamp into its socket.
- 4 Gently rotate the heat lamp to ensure it is correctly seated (i.e. it looks like the old one did before you removed it).
- 5 Switch the power on and test the heat lamp.
- 6 Fit the glass sheets to the heat lamp reflector bodies Fig. 12.
- 7 Turn on the power at the isolating switch and check operation of the Tastic.

Installing the external Grille

- 1 Cut a hole 160 mm in diameter in eaves or outer wall. Feed ducting out through this hole and tape to the grille baseplate.
- 2 Feed the ducting back through the hole so that the grille base is against the eaves or outer wall.
- 3 Fix grille base with four 6 G screws and snap fit the grille louvres over the grille base as shown in Fig. 13.

