

Replacement Guide

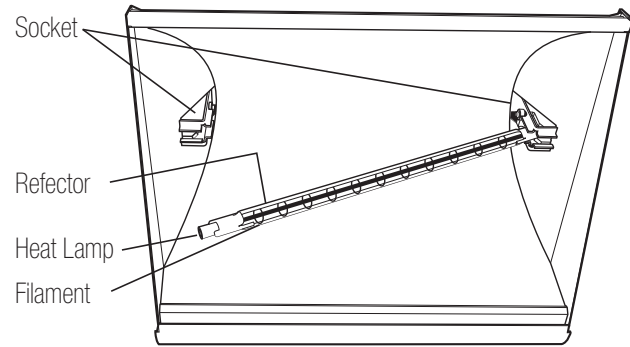
Tastic[®]

Ovation & Luminate

Model: 11380 Heat Lamp

Electrical Rating: 240 V. 800 W. R7S Cap.

Whilst every effort is made to provide current information at the time this Installation Instructions and User Guide was produced, continuing product improvements mean the enclosed specifications, images and literature may differ from what is actually available.



Preparing

Turn the heat lamp off and let it cool for at least 5 minutes. For extra safety, switch the power off at the isolating switch.

Position a sturdy ladder of sufficient height to let you safely and comfortably reach the Tastic®. Ask someone to hold the ladder if you can.

Removing Glass Shield

With one hand, gently press the glass shield (at a point close to the inlet) towards the ceiling and carefully slide it towards the inlet.

Hold your other hand below the other end of the shield to catch it when it drops.

If the shield chips, cracks or breaks, do not use the heat lamp without it. Replace it with IXL Tastic® Tempered Glass Shield (Part 12200), not normal household glass.

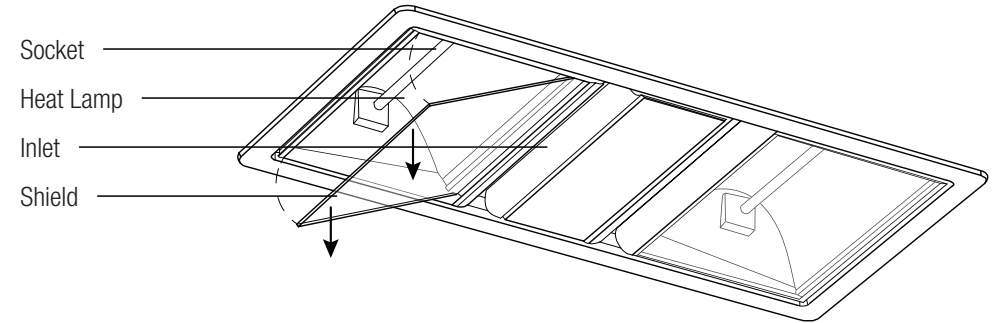
Removing Heat Lamp

A spring-loaded socket holds each end of the heat lamp.

Gently grasp the heat lamp and push it towards one socket.

When it is free of the other socket, carefully pull the heat lamp down towards you.

The heat lamp is not recyclable. Dispose of it like a normal incandescent light globe (i.e. unbroken, with your general waste, wrapped in any paper or cloth you used).



Fitting New Heat Lamp

Natural skin oils and salts damage new halogen lamps and shorten their life. Only handle a new heat lamp with soft, dry, clean, lint-free cloth or paper. You can wear gloves, cover your fingers or wrap the heat lamp until it is installed (so long as you remove all cloth or paper when finished).

If your skin touches a new heat lamp, wipe it gently with cloth or paper.

The heat lamp is half coated with a white reflector. When you grasp the heat lamp, face the back of the reflector to the ceiling (so you can see the heat lamp's filament). Not doing this will reduce performance.

Fit one end of the heat lamp into a socket and gently push it away from the other socket.

When there is enough room, fit the other end of the heat lamp into its socket.

Gently rotate the heat lamp to ensure it is correctly seated (i.e. it looks like the old one did before you removed it).

Replace the glass shield by reversing the directions for removing it.

Switch the power on and test the heat lamp.



IXL Home Tastic® products come with guarantees that do not exclude the following consumer entitlements under the Australian and New Zealand Consumer Law:

- a. replacement or refund for a major failure and compensation for any other reasonably foreseeable loss or damage; and
- b. to have the goods repaired or replaced if goods fail to be of acceptable quality and the failure does not amount to a major failure.

Visit IXL Home website below to register your warranty details online.

Australia

www.ixlappliances.com.au/warranty

New Zealand:

www.ixlappliances.co.nz/warranty

For comments, questions or warranty matters:

IXL Home Pty Ltd

Australia

Free Call: 1300 727 421
service@ixl.com.au
www.ixlappliances.com.au

New Zealand:

Free Call: 0800 727 421
service@ixlhome.co.nz
www.ixlappliances.co.nz

TASTIC®, IXL®, TASTIC OVATION®, and TASTIC LUMINATE® are registered trade marks of Alver Pty Ltd in Australia and New Zealand used under licence by IXL Home Pty Ltd.

