

# Roomba Combo<sup>®</sup>

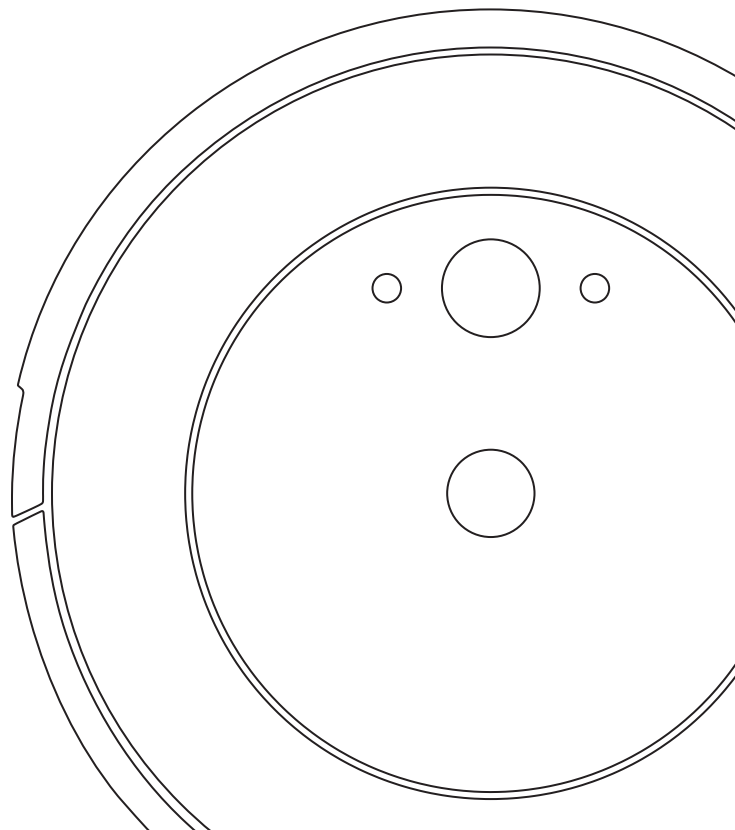
**Essential** robot

Quick Start & Safety Guide

Guide de démarrage rapide et guide de sécurité

Guía de inicio rápido y de seguridad

***iRobot***



# Safety information

## Important safety information

This owner's guide includes information for Regulatory Model(s): Robot: RVG-Y1 | Dock: ADN-N1 | Battery: ABL-G | Robot Radio Module: ESP32-S3-WROOM-1


### SAVE THESE INSTRUCTIONS

 **WARNING:** When using an electrical appliance, basic precautions should always be followed, including the following:

### READ ALL INSTRUCTIONS

 **WARNING:** to reduce the risk of injury or damage, read and follow the safety precautions when setting up, using, and maintaining your robot.

This appliance is not intended for use by persons (including children) with reduced physical, sensory or mental capabilities, or lack of experience and knowledge, unless they have been given supervision or instruction concerning use of the appliance by a person responsible for their safety. Children should be supervised to ensure that they do not play with the appliance.


 This is the safety alert symbol. It is used to alert you to potential physical injury hazards. Obey all safety messages that follow this symbol to avoid possible injury or death.

 Risk of electric shock


 For indoor use only


 Rated power output, d.c.

 Read operator's manual

 General symbol for recycling

 Risk of fire


 Class II equipment

 Rated power input, d.c.

 Keep out of reach of children

 Separate Supply Unit

 Caution

 Class III equipment

 Rated power input, a.c.

**WARNING:** Indicates a hazardous situation that, if not avoided, could result in death or serious injury.

**CAUTION:** Indicates a hazardous situation that, if not avoided, could result in minor or moderate injury.

**NOTICE:** Indicates a hazardous situation that, if not avoided, could result in property damage.

#### GENERAL

## **WARNING**

- This product comes with a region approved power supply cord and is designed to be plugged into a standard household AC power outlet only. Do not use any other power supply cord. For replacement cords, please contact Customer Care to ensure proper selection of country specific power supply cord.
- Do not disassemble or open this product other than instructed in the Owner's Guide. There are no user serviceable parts inside. Refer servicing to qualified service personnel.
- Risk of electric shock use indoors in dry location only.
- Do not handle this product with wet hands.
- This product is not a toy. Small children and pets should be supervised when your robot is operating. Do not sit or stand on your robot or dock.
- Do not sit or stand on this product.
- Store and operate this product in room temperature environments only.
- Do not use unauthorized chargers. Use of an unauthorized charger could cause the battery to generate heat, smoke, catch fire, or explode.
- If the room to be cleaned contains a balcony, a physical barrier should be used to prevent access to the balcony and ensure safe operation.
- If the room to be cleaned contains equipment, such as a stove, fan, portable heater, or humidifier, remove the equipment before operation. There is a risk of injury, accident or malfunction if the robot comes in contact with and pushes the equipment.
- Do not allow your robot or charging station to become wet.
- Clean cliff sensors for buildup.
- Be aware that floors may be slippery after wet cleaning with your robot.

- Do not add liquids such as hot water, detergent, or disinfectant as they could damage the robot.

## **CAUTION**

- Do not operate the robot in areas with exposed electrical outlets or gas shut-off valves in the floor.
- Do not use this device to pick up sharp objects, glass, or anything that is burning or smoking.
- Be aware that the robot moves on its own. Take care when walking in the area that the robot is operating in to avoid stepping on it.
- If the device passes over a power cord and drags it, there is a chance an object could be pulled off a table or shelf. Before using this device, pick up objects like clothing, loose papers, pull cords for blinds or curtains, power cords, and any fragile objects. Extinguish candles. Shut off portable heaters.
- Perform the required maintenance as per the Owner's Guide to ensure safe operation of the robot and charging station.
- If the robot is operating on a floor with stairs, please remove any clutter from the top step.

## **NOTICE**

- Do not allow your robot or dock to become wet.
- Do not place anything on top of your robot or charging station.
- The failure to maintain cleanliness of charger contacts could result in loss of ability for the robot to charge the battery and the contacts to become hot to the touch.
- Before running your robot on hard floors, please test your robot on a small section of the hard floor to ensure that it is compatible. Using your robot on a hard floor that is not compatible could result in damage to your floor. Contact your hard floor manufacturer with questions on compatibility.
- Before running your robot on carpets or rugs, ensure that the carpets or rugs are compatible with the dual multi-surface rubber brushes on your

robot, otherwise known as beater bars. Using your robot on a carpet or rug that is not compatible could result in damage to your carpet or rug. Contact your carpet or rug manufacturer with questions on compatibility.

#### CHARGING STATION

### **WARNING**

- If appliance is not working as it should, has been dropped, damaged, left outdoors, or dropped into water, return it to a service center.
- Do not use a charging station with a damaged cord or plug. If the cord or plug is damaged, it must be replaced.
- Always disconnect your robot from the charging station before cleaning or maintaining it.
- Do not use the charging station as a step.
- Charge your robot only with the power supply provided. The provided power supply delivers safety extra-low voltage corresponding to the input marking on the robot which is required to maintain safe operation.
- To prevent the risk of your robot falling downstairs, ensure that the charging station is placed at least 4 feet (1.2 metres) away from stairs.
- Do not allow liquids to get on or into the charging station.

## NOTICE

- Product may not be used with any type of power converter. Use of power converters will immediately void the warranty.
- If you live in an area prone to electrical storms, it is recommended that you use additional surge protection. Your charging station may be protected with a surge protector in the event of severe electrical storms.

### **WARNING**

- Do not add liquids such as hot water, detergent, or disinfectant as they could damage the robot.

#### BATTERY

### **WARNING**

- Do not open, crush, heat above 80°C (176°F) or incinerate. Follow the Owner's Guide instructions for proper use, maintenance, handling and disposal.
- Do not short-circuit the Battery by allowing metal objects to contact the battery terminals or by immersing it in liquid. Do not subject batteries to mechanical shock.
- Lithium ion batteries and products that contain lithium ion batteries are subject to stringent transportation regulations. If you need to post this product (with the Battery included) for service, travel or any other reason, you must refer to the Troubleshooting section of your Owner's Guide or contact Customer Care for postage instructions.
- Do not charge damaged or leaking battery packs. Do not allow the liquid to come into contact with skin or eyes. If contact has been made, wash the affected area with large amounts of water and seek medical advice. Place the Battery in a sealed plastic bag and recycle or dispose of it safely according to local environmental regulations or return it to your local authorised iRobot Service Center for disposal.

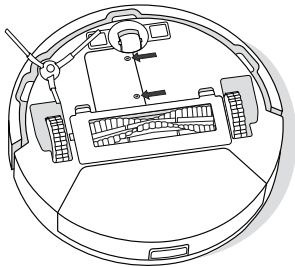
- Keep the battery pack clean and dry. Wipe the cell/battery terminals with a clean dry cloth if they become dirty.

## CAUTION

- Battery usage by children should be supervised. Seek medical advice immediately if a cell or a battery has been swallowed.

## NOTICE

- The battery pack must be removed from the robot before recycling or disposal.
- To access the battery for recycling or disposal, loosen the two screws. Remove the battery compartment cover and unplug the battery cable.



This symbol on the battery indicates that the battery must not be disposed of with unsorted common municipal waste. As the end-user, it is your responsibility to dispose of the end-of-life battery in your appliance in an environmentally sensitive manner as follows:

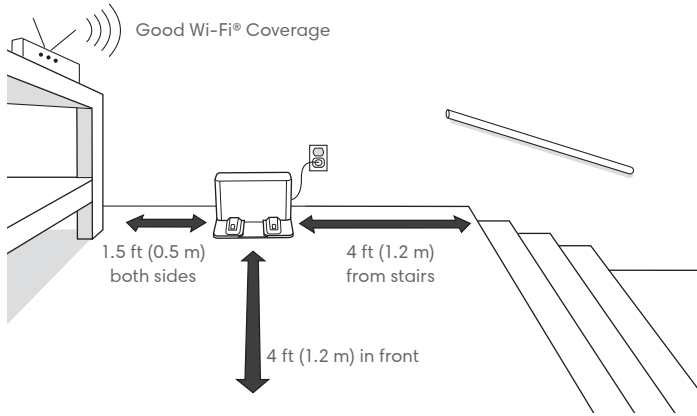
- (1) returning it to the distributor/dealer from whom you purchased the product; or
- (2) depositing it in a designated collection point.

The separate collection and recycling of end-of-life batteries at the time of disposal will help to conserve natural resources and to ensure that it is recycled in a manner that protects human health and the environment. For more information, please contact your local recycling office or the dealer from whom you originally purchased the product. Failure to properly dispose of end-of-life batteries may result in the negative potential effects on the environment and human health due to the substances in the batteries and accumulators.

For battery recycling go to [call2recycle.org](https://www.call2recycle.org) or call 1-800-822-8837.

# Getting started

## 1 Position the Charging dock

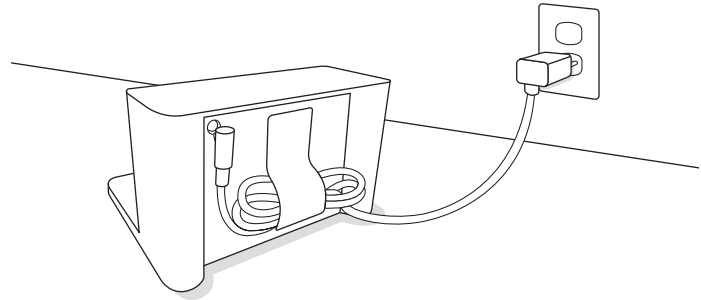


**NOTE:** Position your Charging dock on hard surface flooring. Do not place it in direct sunlight. Ensure the area around the dock or Charging dock is free of clutter to improve docking performance.



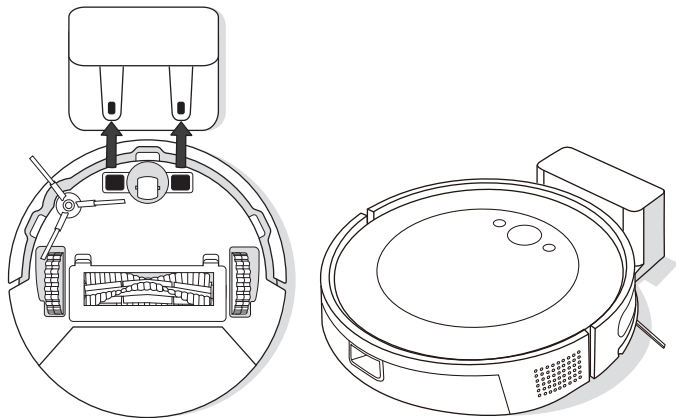
**WARNING:** To prevent the risk of your robot falling down stairs, ensure that your Charging dock is placed at least 4 feet (1.2 meters) away from stairs.

## 2 Plug in the Charging dock



Plug the power cord into the Charging dock, then into the wall. Wrap the cord back so it won't get in the way of the robot as it comes and goes.

### 3 Wake up the robot



Place your robot on the Charging dock by lining up the metal charging contacts. After a few minutes, a sound will let you know it's awake.



**IMPORTANT:** Read enclosed safety information guide first before using your robot.

### 4 Download the iRobot Home App

Scan the QR code with the camera on your mobile device or find the iRobot Home App in your app store.

- Follow step-by-step instructions to set up your robot.
- Set an automatic cleaning schedule and customize cleaning preferences.
- Access to tips, tricks, and answers to commonly asked questions.



**NOTE:**  
5.0 GHz Wi-Fi is not compatible with this robot



#### Looking for your Owner's Guide?

The complete guide is available in the Help section of the iRobot home app or at:  
[homesupport.irobot.com/s/roombacomboesential](https://homesupport.irobot.com/s/roombacomboesential)

# Regulatory information

## FCC SUPPLIER'S DECLARATION OF CONFORMITY

iRobot Corporation

Roomba Combo® robot model: RVG-Y1

Roomba Combo® robot

Contains FCC ID: 2AC7Z-ESPS3WROOM1 and contains IC: 21098-ESPS3WROOM1  
This device complies with part 15 of the FCC Rules and ICES-003(B) / NMB-003(B).

Operation is subject to the following two conditions: (1) This device may not cause harmful interference, and (2) This device must accept any interference received, including interference that may cause undesired operation.

This device complies with Industry Canada license-exempt RSS standard(s).  
Operation is subject to the following two conditions: (1) This device may not cause interference, and (2) This device must accept any interference, including interference that may cause undesired operation of the device.

Changes or modifications not expressly approved by iRobot Corporation could void the user's authority to operate the equipment.

- This equipment has been tested and found to comply with the limits for a Class B digital device, pursuant to part 15 of the FCC Rules as well as CAN ICES-003(B) / NMB-003(B) Rules. These limits are designed to provide reasonable protection against harmful interference in a residential installation. This equipment generates, uses and can radiate radio frequency energy and, if not installed and used in accordance with the instructions, may cause harmful interference to radio communications. However, there is no guarantee that interference to radio communication will not occur in a particular installation. If this equipment does cause harmful interference to radio or television reception, which can be determined by turning the equipment off and on, the user is encouraged to try to correct the interference by one or more of the following measures:
  - Reorient or relocate the receiving antenna.
  - Increase the separation between the equipment and receiver.

- Connect the equipment into an outlet on a circuit different from that to which the receiver is connected.
- Consult the dealer or an experienced radio/TV technician for help.
- Under Industry Canada regulations, this radio transmitter may only operate using an antenna of a type and maximum (or lesser) gain approved for the transmitter by Industry Canada. To reduce potential radio interference to other users, the antenna type and its gain should be so chosen that the equivalent isotropically radiated power (e.i.r.p.) is not more than the necessary for successful communication.
- FCC Radiation Exposure Statement: This product complies with FCC §2.1091(b) for mobile device RF exposure limits, set forth for an uncontrolled environment and is safe for the intended operation as described in this manual. Per FCC requirements, maintain a distance of more than 8 inches (20 cm) between any person and the host device (Roomba robot).
- ISED Radiation Exposure Statement: This product complies with the Canadian Standard RSS-102 for mobile device RF exposure limits, set forth for an uncontrolled environment and is safe for the intended operation as described in this manual. Per ISED requirements, maintain a distance of more than 8 inches (20 cm) between any person and the robot.

iRobot Corporation, 8 Crosby Drive, Bedford, MA 01730 USA  
<https://global.irobot.com>

For battery recycling go to [call2recycle.org](http://call2recycle.org) or call 1-800-822-8837.



### External Power Supply

Only use the external power supply adapter model approved for your region.

MODEL NUMBER	REGION
APA-NA	NA
APA-EU	EU
APA-UK	UK
APA-JP	JP
APA-AS	AS/NZS
APA-BR	BR
APA-AG	AG
APA-IN	IN
APA-TH	TH

# iRobot Customer Care

## USA & Canada

If you have questions or comments about your dirt disposal, please contact iRobot before contacting a retailer.

You can start by visiting [global.irobot.com](https://global.irobot.com) for support tips, frequently asked questions, and information about accessories. This information can also be found in the iRobot Home App. If you need further assistance, call the US Customer Care team at (877) 855-8593.

### **iRobot USA Customer Care Hours**

Monday to Friday, 9AM — 9PM Eastern Time

Saturday and Sunday 9AM — 6PM Eastern Time

## Outside USA & Canada

Visit [global.irobot.com](https://global.irobot.com) to:

- Learn more about iRobot in your country
- Get hints and tips to improve your product performance
- Get answers to questions
- Contact your local support center



©2023 iRobot Corporation, 8 Crosby Drive, Bedford, MA 01730 USA. All rights reserved.  
iRobot, Roomba, and Roomba Combo are registered trademarks of iRobot Corporation.  
Wi-Fi and the Wi-Fi logo are registered trademarks of Wi-Fi Alliance. Apple and App Store  
are trademarks of Apple Inc., registered in the U.S. and other countries. Google Play is a  
trademark of Google LLC.

# Consignes de sécurité

## Consignes de sécurité importantes

Ce guide du propriétaire comprend des renseignements sur les modèles de réglementation : Robot : RVG-Y1 | Station : ADN-N1 | Batterie : ABL-G | Module de radio du robot : ESP32-S3-WROOM-1

### ⚠ CONSERVEZ CES INSTRUCTIONS

⚠ **AVERTISSEMENT** : Lorsque vous utilisez un appareil électrique, vous devez toujours respecter certaines précautions de base, notamment :

### LIRE TOUTES LES INSTRUCTIONS

⚠ **AVERTISSEMENT** : Pour réduire tout risque de blessure ou de dommage, lisez et respectez les consignes de sécurité suivantes lors de la configuration, de l'utilisation et de l'entretien de votre robot.

Cet appareil n'est pas conçu pour être utilisé par des personnes (y compris des enfants) ayant des capacités physiques, sensorielles ou mentales réduites, ou un manque d'expérience et de connaissances, à moins d'avoir reçu des conseils ou des instructions concernant l'utilisation de l'appareil par une personne responsable de leur sécurité. Les enfants doivent être supervisés pour s'assurer qu'ils ne jouent pas avec l'appareil.

⚠ Voici le symbole d'alerte de sécurité. Il est utilisé pour vous informer d'éventuels risques de blessure.

Respectez tous les messages de sécurité qui suivent ce symbole afin d'éviter tout risque de blessure ou de mort.



Risque d'électrocution



Conçu pour une utilisation à l'intérieur uniquement



Puissance de sortie nominale, c.c.



Lire le manuel de l'opérateur



Symbole général de recyclage



Risque d'incendie



Équipement de classe II



Puissance d'entrée nominale, c.c.



Tenir hors de portée des enfants



Unité d'alimentation séparée



Attention



Équipement de classe III



Puissance d'entrée nominale, c.c.a.

**AVERTISSEMENT :** Indique une situation dangereuse qui, si elle n'est pas évitée, peut entraîner la mort ou de graves blessures.

**ATTENTION :** Indique une situation dangereuse qui, si elle n'est pas évitée, peut entraîner des blessures mineures ou modérées.

**AVIS :** Indique une situation dangereuse qui, si elle n'est pas évitée, peut entraîner des dommages matériels.

## GÉNÉRAL

### **AVERTISSEMENT**

- Ce produit est fourni avec un cordon d'alimentation adapté à votre région et est conçu pour être branché uniquement sur une prise de courant c.a. domestique standard. N'utilisez aucun autre cordon d'alimentation. Pour obtenir un cordon de rechange adapté à votre région, communiquez avec le service d'assistance à la clientèle.
- Ne désassemblez pas et n'ouvrez pas ce produit d'une manière différente de celle indiquée dans le guide du propriétaire. Aucune pièce pouvant être réparée par l'utilisateur n'est à l'intérieur. Confiez l'entretien à du personnel d'entretien qualifié.
- Risque de décharge électrique; n'utilisez l'appareil qu'à l'intérieur dans un environnement sec.
- Ne pas manipuler ce produit avec les mains mouillées.
- Ce produit n'est pas un jouet. Il est nécessaire de surveiller les jeunes enfants et les animaux domestiques lorsque le robot est en marche. Ne vous asseyez pas ou ne vous tenez pas debout sur le robot ni sur la station de recharge.
- Ne pas s'asseoir ou se tenir debout sur le produit.
- Ne ranger et n'utiliser ce produit qu'à température ambiante.
- N'utilisez pas de chargeurs non autorisés. L'utilisation d'un chargeur non autorisé pourrait faire en sorte que la batterie surchauffe, prenne feu ou explose, ou que de la fumée s'en dégage.
- Si la pièce à nettoyer comprend un balcon, mettez en place une barrière physique pour empêcher l'appareil d'y accéder et pour garantir un fonctionnement sécuritaire.
- Si la pièce à nettoyer comprend des électroménagers, comme un four, un ventilateur, un chauffage portable ou un humidificateur d'air, retirez les appareils avant de commencer le nettoyage. Des blessures, des accidents ou des risques de déféctuosité pourraient survenir si le robot entre en contact avec les appareils et les pousse.
- Évitez de mouiller le robot ou la station de recharge.

- Nettoyer les détecteurs de vide pour éliminer l'accumulation de saleté.
- Sachez que les sols peuvent être glissants après leur nettoyage humide avec votre robot.
- N'ajoutez pas de liquides comme de l'eau chaude, du détergent ou du désinfectant, car ils pourraient endommager le robot

### **ATTENTION**

- N'utilisez pas le robot dans des zones où se trouvent des prises de courant et des valves à gaz exposées au sol.
- N'utilisez pas cet appareil pour ramasser des objets tranchants, du verre ou tout objet qui brûle ou qui fume.
- N'oubliez pas que le robot se déplace seul. Faites attention en vous déplaçant dans la zone où le robot fait son travail afin d'éviter de marcher dessus.
- Si l'appareil passe sur un cordon d'alimentation et l'entraîne, il est possible qu'un objet sur une table ou une étagère soit également entraîné. Avant d'utiliser cet appareil, ramassez les objets comme les vêtements et les papiers volants et ne laissez pas traîner les cordons de stores ou de rideaux, les cordons d'alimentation et les objets fragiles. Éteignez les chandelles. Éteignez les appareils de chauffage autonomes.
- Effectuez l'entretien requis conformément au guide du propriétaire pour garantir le fonctionnement sécuritaire du robot et de la station de recharge.
- Si le robot fonctionne sur un plancher avec des escaliers, veuillez éliminer tout encombrement de la marche supérieure.

### **AVIS**

- Évitez de mouiller le robot ou la station.
- Ne placer aucun objet sur le robot ou la station de recharge.
- Si les contacts du chargeur ne sont pas nettoyés régulièrement, il est possible que la batterie du robot ne puisse plus se recharger et que les contacts soient chauds au toucher.
- Avant de faire fonctionner votre robot sur des planchers durs, veuillez le tester sur une petite section du plancher dur pour vous assurer qu'il est compatible. L'utilisation de votre robot pour nettoyer un plancher dur qui n'est pas compatible pourrait endommager votre plancher.

Communiquez avec le fabricant de votre plancher pour connaître la compatibilité.

- Avant de faire fonctionner votre robot sur des tapis, assurez-vous que les tapis sont compatibles avec les deux brosses en caoutchouc multisurfaces de votre robot, autrement appelées « barres de battage ». L'utilisation de votre robot pour nettoyer un tapis qui n'est pas compatible pourrait endommager votre tapis. Communiquez avec le fabricant des tapis pour connaître les accessoires à utiliser.

#### STATION DE RECHARGE

### AVERTISSEMENT

- Si l'appareil ne fonctionne pas comme il le devrait, s'il a été échappé, endommagé, laissé dehors ou échappé dans l'eau, retournez-le à un centre de services.
- Ne pas utiliser la station de recharge si le cordon ou la fiche sont endommagés. Si le cordon ou la fiche sont endommagés, ils doivent être remplacés.
- Débranchez toujours le robot de la station de recharge avant son nettoyage ou son entretien.
- Ne marchez pas sur la station de recharge.
- Chargez le robot uniquement avec l'alimentation fournie. L'alimentation fournie génère une très basse tension de sécurité correspondant au marquage d'entrée sur le robot qui est nécessaire pour assurer un fonctionnement sûr.
- Afin d'éviter que le robot ne déboule les escaliers, s'assurer que la station de recharge est située à au moins 1,2 m (4 pi) des escaliers.
- Ne versez pas de liquide dans ou sur la station de recharge.

## AVIS

- Le produit ne peut pas être utilisé avec un convertisseur de puissance. L'utilisation d'un convertisseur de puissance annule immédiatement la garantie.

- Si vous vivez dans une zone sujette aux orages violents, nous vous recommandons d'utiliser des parasurtenseurs. La station de recharge peut être protégée par un parasurtenseur en cas d'orages violents.

### AVERTISSEMENT

- N'ajoutez pas de liquides comme de l'eau chaude, du détergent ou du désinfectant, car ils pourraient endommager le robot

#### BATTERIE

### AVERTISSEMENT

- Ne pas ouvrir, écraser, chauffer à plus de 80 °C (176 °F) ou brûler. Suivez les directives du guide du propriétaire pour une utilisation, un entretien, une manipulation et une élimination adéquats.
- Évitez de court-circuiter la batterie en permettant à des objets métalliques d'entrer en contact avec les bornes de la batterie ou en l'immergeant dans un liquide. Évitez de soumettre les batteries à des chocs mécaniques.
- Les batteries au lithium-ion et les produits qui contiennent des batteries au lithium-ion sont soumis à des règles de transport très strictes. Si vous devez envoyer ce produit (batterie incluse) pour réparation, voyage ou toute autre raison, vous devez vous référer à la section Dépannage de votre guide du propriétaire ou contacter le service d'assistance à la clientèle pour obtenir des instructions d'expédition.
- Ne pas recharger des blocs-batterie endommagés ou qui fuient. Évitez tout contact entre le liquide et la peau ou les yeux. En cas de contact, lavez la zone touchée abondamment à l'eau et consultez un médecin. Placez la batterie dans un sac en plastique hermétiquement fermé et recyclez-la ou éliminez-la conformément aux réglementations environnementales locales, ou retournez-la au centre de service local agréé iRobot aux fins d'élimination.

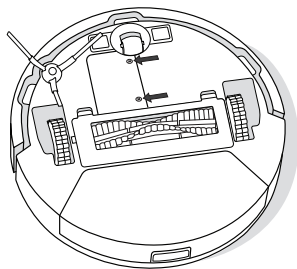
- Gardez le bloc-batterie propre et sec. Essuyez les bornes de la pile ou de la batterie avec un chiffon propre et sec si elles sont sales.

## ATTENTION

- L'utilisation de la batterie par de jeunes enfants doit être surveillée. Consultez immédiatement un professionnel de la santé en cas d'ingestion d'une batterie.

## AVIS

- Le bloc-batterie doit être retiré du robot avant d'être recyclé ou éliminé.
- Pour accéder à la batterie afin de la recycler ou la jeter, dévissez les deux vis. Retirez le couvercle du compartiment de la batterie et débranchez le câble de la batterie.



Le symbole sur la batterie indique que la batterie ne doit pas être éliminée avec les déchets municipaux non triés. En tant qu'utilisateur final, il est de votre responsabilité d'éliminer la batterie en fin de vie de votre appareil d'une manière respectueuse de l'environnement. Pour ce faire, veuillez procéder comme suit :

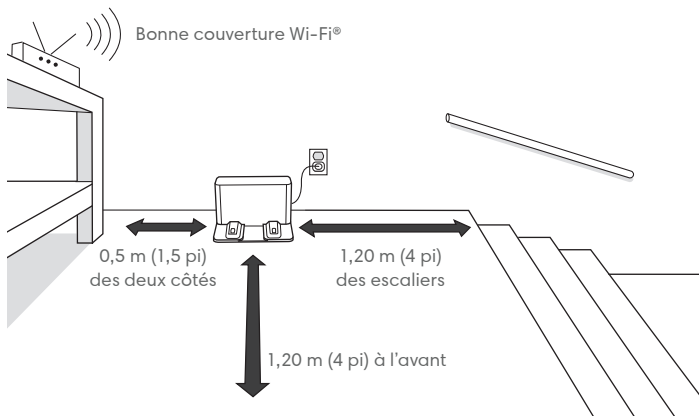
- (1) la retourner au distributeur/revendeur auprès duquel vous avez acheté le produit; ou
- (2) la déposer dans un point de collecte désigné.

La collecte et le recyclage séparés des batteries en fin de vie au moment de leur élimination contribuent à préserver les ressources naturelles et à garantir leur recyclage de manière à protéger la santé humaine et l'environnement. Pour plus d'informations, veuillez communiquer avec votre centre de recyclage local ou avec le revendeur auprès duquel vous avez acheté le produit. Si les batteries en fin de vie ne sont pas correctement éliminées, les substances contenues dans les batteries et les accumulateurs peuvent avoir des effets néfastes sur l'environnement et la santé humaine.

Pour recycler la batterie, consultez [call2recycle.org](http://call2recycle.org) ou composez le 1 800-822-8837.

# Démarrage

## 1 Positionnez la Charging dock

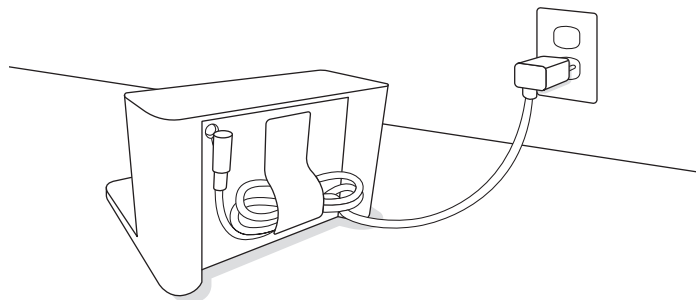


**REMARQUE :** Placez votre Charging dock sur un plancher à surface dure. Ne l'exposez pas directement au soleil. Assurez-vous que la zone à proximité de la station ou la station de recharge est dégagée pour améliorer la performance de la station.



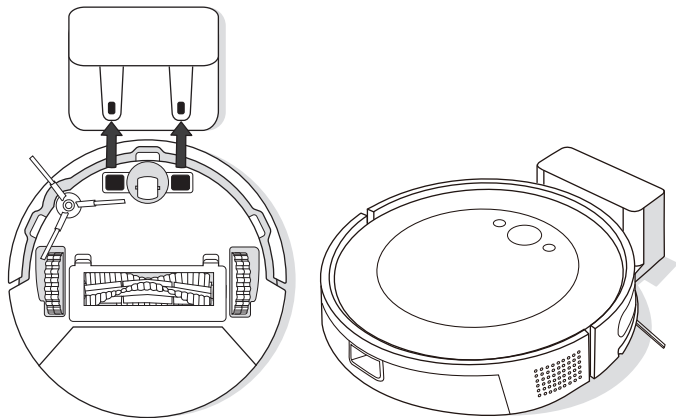
**AVERTISSEMENT :** Afin d'éviter que le robot ne tombe dans les escaliers, assurez-vous que votre Charging dock est située à au moins 1,2 m des escaliers.

## 2 Branchez la Charging dock



Branchez le cordon d'alimentation dans la Charging dock, puis dans le mur. Enroulez le cordon pour qu'il ne gêne pas le robot dans ses déplacements.

### 3 Réveillez le robot



Placez votre robot sur la Charging dock en alignant les contacts de chargement en métal. Au bout de quelques minutes, un son vous fera savoir que le robot est actif.



**IMPORTANT :** Lisez les consignes de sécurité du guide avant d'utiliser votre robot.

### 4 Téléchargez l'application iRobot Home

Balayez le code QR à l'aide de la caméra de votre appareil mobile ou trouvez l'application iRobot Home dans votre boutique d'applications.

- Suivez les instructions étape par étape pour configurer votre robot.
- Définissez un programme de nettoyage automatique et personnalisez les préférences de nettoyage.
- Accédez à des conseils, des astuces et des réponses aux questions fréquentes.



#### REMARQUE :

Le Wi-Fi de 5,0 GHz n'est pas compatible avec ce robot.



Vous cherchez votre guide du propriétaire?

Le guide complet est offert dans la section Aide de l'application iRobot Home ou sur le site :  
[homesupport.irobot.com/s/roombacombosessential](https://homesupport.irobot.com/s/roombacombosessential)

# Renseignements sur la réglementation

## DÉCLARATION DE CONFORMITÉ DU FOURNISSEUR DE LA FCC

iRobot Corporation

Modèle de robot Roomba Combo® : RVG-Y1

Robot Roomba Combo®

Porte l'identification FCC : 2AC7Z-ESPS3WROOM1 et comprend le numéro IC: 21098-ESPS3WROOM1

Cet appareil respecte l'alinéa 15 des réglementations de la FCC et ICES-003(B)/NMB-003(B).

Son fonctionnement est soumis aux deux conditions suivantes : (1) Cet appareil ne doit pas provoquer d'interférences nuisibles, et (2) cet appareil doit tolérer toute interférence reçue, y compris les interférences susceptibles d'engendrer un fonctionnement indésirable.

Cet appareil est conforme aux normes d'exemption de licence CNR d'Innovation, Sciences et Développement économique Canada. Son fonctionnement est soumis aux deux conditions suivantes : (1) Cet appareil ne doit pas provoquer d'interférences, et (2) cet appareil doit tolérer toute interférence, y compris les interférences susceptibles d'engendrer un fonctionnement indésirable de l'appareil.

Les changements ou les modifications non approuvés expressément par iRobot Corporation sont susceptibles d'entraîner la révocation de l'autorisation d'utilisation de l'appareil par l'utilisateur.

- Cet équipement a été testé et déclaré conforme aux limites d'un appareil numérique de classe B, conformément à l'alinéa 15 des réglementations de la FCC et CAN ICES-003(B)/NMB-003(B). Ces limites sont conçues pour assurer une protection raisonnable contre les interférences nuisibles dans une installation résidentielle. Cet équipement génère, utilise et peut émettre de l'énergie radiofréquence et, s'il n'est pas installé et utilisé conformément aux instructions, il peut provoquer des interférences nuisibles aux communications radio. Il n'existe toutefois aucune garantie que de telles interférences ne se produiront pas dans une installation particulière. Si cet équipement occasionne des interférences nuisibles aux réceptions radio ou télévisuelles, ce qui peut être déterminé en allumant et en éteignant l'appareil, l'utilisateur est invité à corriger ce problème en prenant une ou plusieurs des mesures suivantes :

- Réorienter ou repositionner l'antenne de réception.
- Augmenter la distance entre l'équipement et le récepteur.
- Branchez l'équipement sur la prise d'un circuit différent de celui du récepteur.
- Consultez le revendeur ou un technicien radio/télévision qualifié pour obtenir de l'aide.

- Conformément à la réglementation d'Innovation, Sciences et Développement économique Canada, cet émetteur radio peut fonctionner uniquement avec une antenne d'un type et d'un gain maximal (ou inférieur) approuvés pour l'émetteur par Innovation, Sciences et Développement économique Canada. Dans le but de réduire les risques d'interférence radio pouvant être subis par les autres utilisateurs, il faut choisir le type d'antenne et son gain de sorte que la puissance isotrope rayonnée équivalente (p.i.r.e.) ne dépasse pas l'intensité nécessaire à l'établissement d'une communication satisfaisante.
- Déclaration de la FCC sur l'exposition aux radiations : ce produit est conforme à la règle § 2.1091(b) de la FCC concernant les limites d'exposition aux RF émises par un appareil mobile dans un environnement non contrôlé, et il est considéré comme sécuritaire pour l'utilisation qui est décrite dans le présent manuel. Conformément aux exigences de la FCC, maintenez une distance de plus de 20 cm (8 po) entre toute personne et l'appareil hôte (robot Roomba).
- Déclaration de la ISED sur l'exposition aux radiations : ce produit est conforme à la norme canadienne RSS-102 concernant les limites d'exposition aux RF émises par un appareil portable dans un environnement non contrôlé, et il est considéré comme sécuritaire pour l'utilisation qui est décrite dans le présent manuel. Conformément aux exigences d'ISED, maintenez une distance de plus de 20 cm (8 po) entre toute personne et le robot.

iRobot Corporation, 8 Crosby Drive, Bedford, MA 01730 États-Unis  
<https://global.irobot.com>

Pour recycler la batterie, consultez le site [call2recycle.org](http://call2recycle.org) ou appelez le 1 800-822-8837.



### Alimentation externe

N'utilisez que le modèle d'adaptateur d'alimentation externe approuvé pour votre région.

NUMÉRO DE MODÈLE	RÉGION
APA-NA	NA
APA-EU	EU
APA-UK	UK
APA-JP	JP
APA-AS	AS/NZS
APA-BR	BR
APA-AG	AG
APA-IN	IN
APA-TH	TH

# Service d'assistance à la clientèle iRobot

## États-Unis et Canada

Si vous avez des questions ou des commentaires à propos du dispositif d'élimination de la saleté, veuillez communiquer avec iRobot avant de communiquer avec un détaillant.

Visitez d'abord le site [global.irobot.com](http://global.irobot.com) pour obtenir des conseils et accéder aux questions fréquentes ainsi qu'à des informations sur les accessoires. Vous trouverez également ces informations dans l'application iRobot Home. Si vous avez encore besoin d'aide, appelez l'équipe du service d'assistance à la clientèle aux États-Unis au 877-855-8593.

### Horaires du service d'assistance à la clientèle d'iRobot aux États-Unis

Du lundi au vendredi, de 9 h à 21 h, heure de l'Est

Du samedi au dimanche, de 9 h à 18 h, heure de l'Est

## À l'extérieur des États-Unis et du Canada

Visitez le site [global.irobot.com](http://global.irobot.com) pour :

- En savoir plus sur iRobot dans votre pays
- Obtenir des conseils et des astuces permettant d'améliorer le rendement de votre produit
- Obtenir des réponses à vos questions
- Communiquer avec votre centre d'assistance local.



©2023 iRobot Corporation, 8 Crosby Drive, Bedford, MA 01730 États-Unis. Tous droits réservés. iRobot, Roomba et Roomba Combo sont des marques déposées et de commerce d'iRobot Corporation. Wi-Fi et le logo Wi-Fi sont des marques déposées de Wi-Fi Alliance. Apple et App Store sont des marques de commerce d'Apple, Inc. déposée aux États-Unis et dans d'autres pays. Google Play est une marque de commerce de Google LLC.

# Información de seguridad


## Información de seguridad importante

En esta guía del usuario, se incluye información para los modelos reglamentarios: Robot: RVG-Y1 | Acople: ADN-N1 | Batería: ABL-G | Módulo de radio del robot: ESP32-S3-WROOM-1

### GUARDA ESTAS INSTRUCCIONES

 **ADVERTENCIA:** Cuando se utiliza un aparato eléctrico, siempre se deben tomar precauciones básicas, por ejemplo:

### LEE TODAS LAS INSTRUCCIONES

 **ADVERTENCIA:** Para reducir el riesgo de lesiones o daños, lee estas precauciones de seguridad y síguelas cuando configures y utilices el robot, y cuando llesves a cabo el mantenimiento.

Este aparato no está diseñado para su uso por parte de personas (incluidos niños) con capacidades físicas, sensoriales o mentales reducidas, o con falta de experiencia y conocimiento, a menos que una persona responsable de su seguridad los supervise o les brinde instrucciones de uso. Se debe supervisar a los niños para garantizar que no jueguen con el robot.



Este es el símbolo de alerta de seguridad. Se utiliza para alertar sobre posibles peligros de lesiones físicas.

Obedece todos los mensajes de seguridad que aparecen después de este símbolo para evitar posibles lesiones o la muerte.



Riesgo de descarga eléctrica



Solo para uso en áreas interiores



Salida de potencia nominal, CC



Leer el manual del operador



Símbolo general de reciclaje



Riesgo de incendio



Equipo de clase II



Entrada de potencia nominal, CC



Mantener fuera del alcance de los niños



Unidad de suministro independiente



Precaución



Equipo de clase III



Entrada de potencia nominal, CA

**ADVERTENCIA:** Indica una situación peligrosa que, si no se evita, podría provocar la muerte o lesiones graves.

**PRECAUCIÓN:** Indica una situación peligrosa que, si no se evita, podría provocar lesiones leves o moderadas.

**AVISO:** Indica una situación peligrosa que, si no se evita, podría provocar daños materiales.

## INFORMACIÓN GENERAL

# ADVERTENCIA

- Este producto incluye un cable de suministro de energía aprobado en la región y está diseñado para conectarse exclusivamente a una salida de alimentación de CA para electrodomésticos estándar. No utilices ningún otro tipo de cable de alimentación. Si necesitas cables de repuesto, comunícate con Atención al cliente para seleccionar adecuadamente el cable de alimentación específico para tu país.
- No desarmes ni abras este producto, a menos que se indique en la Guía del usuario. No hay ninguna pieza interna que el usuario pueda reparar. Deja las tareas de mantenimiento en manos de personal de servicio calificado.
- Riesgo de descarga eléctrica; solo para uso en áreas interiores secas.
- No manipules este producto con las manos mojadas.
- Este producto no es un juguete. Se debe supervisar a los niños pequeños y las mascotas mientras el robot esté en funcionamiento. No te sientes ni te pares sobre el robot o el acople.
- No te sientes ni te pares sobre este producto.
- Guarda y utiliza este producto solamente a temperatura ambiente.
- No utilices cargadores no autorizados. Si utilizas un cargador no autorizado, la batería podría generar calor o humo, incendiarse o explotar.
- Si la habitación que debes limpiar tiene un balcón, se debe utilizar una barrera física para impedir el acceso al balcón y garantizar un funcionamiento seguro.
- Si la habitación que vas a limpiar contiene artefactos, como una estufa, un ventilador, un calefactor portátil o un humidificador, quítalos antes de poner el robot en funcionamiento. Si el robot entra en contacto con el artefacto y lo empuja, existe un riesgo de lesiones, accidentes o averías.
- No dejes que se mojen el robot ni la estación de carga.
- Limpia los sensores de desnivel para evitar la acumulación de residuos.

- Ten presente que los pisos pueden estar resbalosos después de trapearlos con el robot.
- No agregues líquidos como agua caliente, detergente o desinfectante, ya que podrían dañar el robot.

# PRECAUCIÓN

- No utilices el robot en áreas que tengan enchufes expuestos o válvulas de cierre de gas en el piso.
- No utilices este dispositivo para recoger objetos punzantes, vidrio ni ningún objeto que esté quemándose o produciendo humo.
- Recuerda que el robot se mueve por sí solo. Ten cuidado cuando camines en el área donde está funcionando el robot para evitar pisarlo.
- Si el dispositivo pasa sobre un cable de alimentación y lo arrastra, podría caerse algún objeto que esté sobre una mesa o un estante. Antes de utilizar el dispositivo, recoge objetos como ropa, papeles sueltos, cordones de las persianas o cortinas, cables de alimentación y cualquier objeto frágil. Apaga las velas. Apaga los calefactores portátiles.
- Realiza el mantenimiento según se describe en la guía del usuario para garantizar el funcionamiento seguro del robot y de la estación de carga.
- Si el robot está funcionando en un piso con escaleras, despeja el área del escalón superior.

# AVISO

- No permitas que se mojen el robot ni el acople.
- No coloques ningún objeto sobre el robot ni la estación de carga.
- Si no se mantienen limpios los contactos del cargador, se podría perder la capacidad de carga de la batería del robot y los contactos se recalentarán al tacto.
- Antes de utilizar el robot en pisos duros, prueba el robot en una pequeña sección de este para asegurarte de que sea compatible. Si utilizas el robot sobre un piso duro no compatible, podría causarle daños.

Comunícate con el fabricante del piso duro en caso de que tengas dudas sobre la compatibilidad.

- Antes de ejecutar el robot en alfombras o tapetes, asegúrate de que las alfombras o los tapetes sean compatibles con los dos cepillos de goma para múltiples superficies del robot, también conocidos como barras agitadoras. Si utilizas el robot sobre una alfombra o un tapete no compatible, podrías causar daños a tu alfombra o tapete. Comunícate con el fabricante de tu alfombra o tapete en caso de que tengas dudas sobre la compatibilidad.

#### ESTACIÓN DE CARGA

## ADVERTENCIA

- Si el aparato no funciona como debería, se cayó, se dañó, se dejó al aire libre o se sumergió en agua, devuélvelo a un centro de servicio.
- No utilices una estación de carga si el cable o el enchufe están dañados. Si el cable o el enchufe están dañados, se deben reemplazar.
- Siempre desconecta el robot de la estación de carga antes de limpiarlo o de realizarle mantenimiento.
- No utilices la estación de carga como peldaño.
- Carga el robot solo con la fuente de alimentación que se proporciona. La fuente de alimentación proporcionada suministra una tensión extrabaja de seguridad, correspondiente a la marca de entrada en el robot, la cual se necesita para mantener un funcionamiento seguro.
- Para evitar que el robot se caiga por las escaleras, asegúrate de que la estación de carga permanezca al menos a 1,2 metros (4 pies) de distancia de cualquier escalera.
- No permitas que entren líquidos en la estación de carga ni que caigan sobre esta.

## AVISO

- El producto no se puede usar con ningún tipo de transformador de corriente. El uso de transformadores de corriente invalidará inmediatamente la garantía.
- Si vives en una zona propensa a tormentas eléctricas, se recomienda utilizar protección adicional contra sobretensión. Es posible que la

estación de carga disponga de un protector contra sobretensión en caso de que se produzcan tormentas eléctricas intensas.

## ADVERTENCIA

- No agregues líquidos como agua caliente, detergente o desinfectante, ya que podrían dañar el robot.

#### BATERÍA

## ADVERTENCIA

- No abrir, aplastar, incinerar ni calentar por encima de 80 C grados (176 F). Sigue las instrucciones que aparecen en la guía del usuario para conocer el uso, el mantenimiento, la manipulación y la eliminación adecuados.
- No permitas que objetos de metal entren en contacto con los terminales de la batería ni sumerjas la batería en líquido, ya que podría producirse un cortocircuito. No expongas las baterías a sacudidas mecánicas.
- Las baterías de iones de litio y los productos que contienen esas baterías están sujetos a estrictas regulaciones de transporte. Si necesitas enviar este producto por correo (con la batería incluida) para su reparación, por motivos de viaje o cualquier otro motivo, debes consultar la sección "Solución de problemas" de la guía del usuario o comunicarte con Atención al cliente a fin de que te proporcionen las instrucciones pertinentes de envío por correo.
- No cargues baterías dañadas ni con fugas. No permitas que el líquido entre en contacto con la piel o los ojos. Si hubo contacto, lava el área afectada con abundante agua y busca atención médica. Coloca la batería en una bolsa de plástico sellada y recíclala o deséchala de forma segura siguiendo las normativas ambientales locales, o bien devuélvela a tu centro de atención autorizado de iRobot para desecharla.

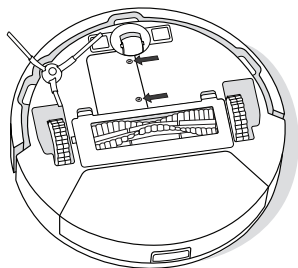
- Mantén la batería limpia y seca. Limpia las celdas o los terminales de la batería con un paño limpio y seco si se ensucian.


## PRECAUCIÓN

- Se debe supervisar a los niños que puedan utilizar la batería. Busca atención médica de inmediato en caso de ingesta de una celda o batería.

## AVISO

- Debes extraer la batería del robot antes de reciclarla o desecharla.
- Afloja los dos tornillos para acceder a la batería a fin de reciclarla o desecharla. Retira la cubierta del compartimento de las baterías y desconecta el cable de la batería.



 Este símbolo en la batería indica que no debe desecharse con la basura municipal común sin clasificar. Como usuario final, es tu responsabilidad deshacerte de la batería del aparato al final de su vida útil de manera responsable con el medioambiente, por ejemplo:

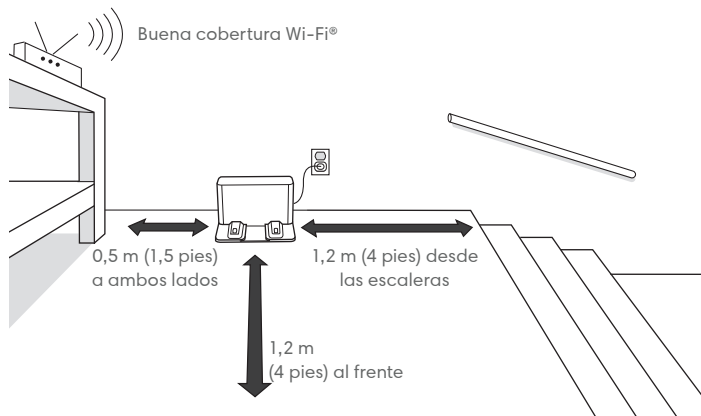
- (1) devolverla al distribuidor o concesionario a quien le compraste el producto; o
- (2) depositarla en un punto de recolección designado.

La recolección y el reciclaje por separado de las baterías al final de su vida útil en el momento de la eliminación ayudarán a conservar los recursos naturales y a garantizar que se recicle de una manera que proteja la salud humana y el medioambiente. Para obtener más información, comunícate con la oficina local de reciclaje o con el distribuidor a quien le compraste originalmente el producto. Si no te deshaces adecuadamente de las baterías al final de su vida útil, esto podría afectar de manera negativa el medioambiente y la salud humana a causa de las sustancias presentes en las baterías y los acumuladores.

Para obtener información sobre el reciclaje de las baterías, visita [call2recycle.org](http://call2recycle.org) o llama al 1-800-822-8837.

# Introducción

## 1 Coloca el Charging dock

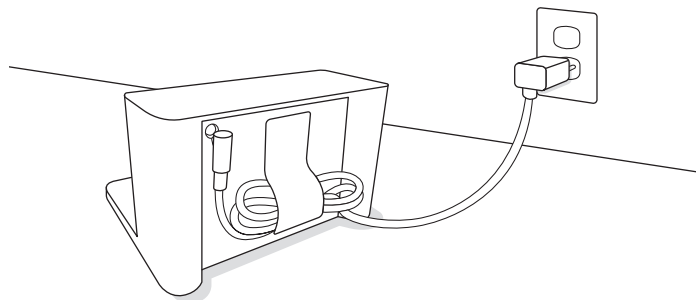


**NOTA:** Coloca tu Charging dock sobre pisos de superficie dura. No lo pongas directamente bajo la luz del sol. Asegúrate de que el área alrededor del acople o del acople de carga esté despejada para mejorar el rendimiento de acoplamiento.



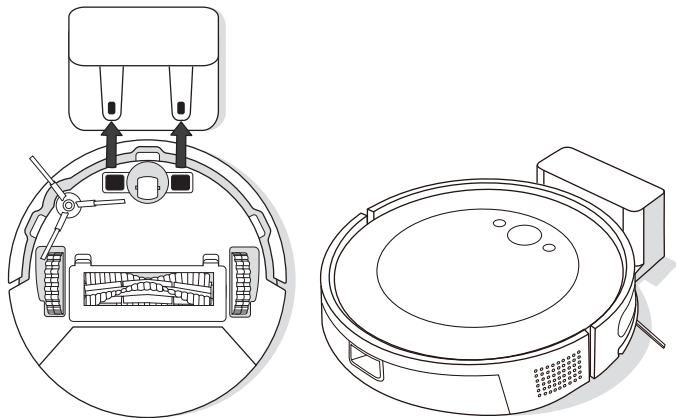
**ADVERTENCIA:** Para evitar que el robot se caiga por las escaleras, asegúrate de que tu Charging dock permanezca a no menos de 1,2 metros (4 pies) de distancia de cualquier escalera.

## 2 Enchufa el Charging dock



Enchufa el cable de alimentación al Charging dock y, luego, a la pared. Enrolla el cable en la parte posterior para que no se interponga en el camino del robot mientras se desplace.

### 3 Enciende tu robot



Coloca el robot en el Charging dock; para ello, alinea los contactos de carga de metal. Después de unos minutos, un sonido te indicará que está activo.



**IMPORTANTE:** Antes de utilizar el robot, primero lee la guía adjunta de información de seguridad.

### 4 Descarga la app iRobot Home

Escanea el código QR con la cámara de tu dispositivo móvil (o busca la app iRobot Home en la tienda de aplicaciones).

- Sigue las instrucciones paso a paso para configurar el robot.
- Define un programa de limpieza automático y personaliza las preferencias de limpieza.
- Accede a consejos, trucos y respuestas a preguntas frecuentes.



**NOTA:**

Este robot no es compatible con Wi-Fi de 5,0 GHz.



¿Buscas la guía del usuario?

La guía completa está disponible en la sección "Ayuda" en la app iRobot Home o en:  
[homesupport.irobot.com/s/roombacombosessential](https://homesupport.irobot.com/s/roombacombosessential)

# Información reglamentaria

## DECLARACIÓN DE CONFORMIDAD DEL PROVEEDOR DE LA FCC

iRobot Corporation

Modelo del robot Roomba Combo®: RVG-Y1

Robot Roomba Combo®

Cuenta con el ID de la FCC: 2AC7Z-ESPS3WROOM1 e incluye IC: 21098-ESPS3WROOM1  
Este dispositivo cumple con la sección 15 de las normas de la FCC y de ICES-003(B)/NMB-003(B).

El funcionamiento está sujeto a estas dos condiciones: (1) este dispositivo no debe causar interferencias dañinas, y (2) este dispositivo debe aceptar cualquier interferencia recibida, incluidas las interferencias que puedan causar un funcionamiento no deseado.

Este dispositivo cumple los estándares RSS exentos de licencia del Ministerio de Industria de Canadá. El funcionamiento está sujeto a estas dos condiciones: (1) este dispositivo no debe causar interferencias, y (2) este dispositivo debe aceptar cualquier interferencia, incluidas las interferencias que puedan causar un funcionamiento no deseado del dispositivo.

Los cambios o las modificaciones no expresamente aprobados por iRobot Corporation pueden invalidar la autoridad del usuario para hacer funcionar el equipo.

- Este equipo se examinó y se concluyó que cumple con los límites de un dispositivo digital de clase B según la parte 15 de las normas de la FCC y las normas de ICES-003(B)/NMB-003(B) de Canadá. Estos límites están diseñados para proporcionar una protección razonable contra la interferencia dañina en una instalación residencial. Este equipo genera, usa y puede irradiar energía de frecuencia de radio y, si no se instala ni se usa según las instrucciones, puede causar interferencia dañina a las comunicaciones por radio. Sin embargo, no se garantiza que no ocurrirán interferencias en las comunicaciones por radio en una instalación particular. Si este equipo causa interferencias dañinas en la recepción de radio o televisión, lo que se puede determinar apagando y volviendo a encender el equipo, el usuario puede tratar de corregir la interferencia mediante una o más de las siguientes medidas:

- Cambiar el lugar o la orientación de la antena receptora.
- Aumentar la separación entre el equipo y el receptor.
- Conectar el equipo a un enchufe en un circuito que no sea al que está conectado el receptor.
- Consulta al distribuidor o a un técnico de radio o televisión con experiencia para obtener ayuda.
- De acuerdo con los reglamentos del Ministerio de Industria de Canadá, este transmisor de radio solo puede funcionar con una antena de un tipo y una ganancia máxima (o inferior) aprobada por tal ministerio para el transmisor. Con el objetivo de reducir la posible interferencia de radio para otros usuarios, el tipo de antena y la ganancia deben seleccionarse de manera que la potencia isotrópica radiada equivalente (PIRE) no supere el valor máximo para permitir una comunicación exitosa.
- Declaración de exposición a la radiación de la FCC: Este producto cumple con la sección 2.1091(b) de la FCC respecto de los límites de exposición a RF de dispositivos móviles, definidos para un entorno no controlado, y es seguro para los propósitos de funcionamiento deseados según lo descrito en este manual. De acuerdo con los requisitos de la FCC, mantén una distancia de más de 20 cm (8 pulgadas) entre cualquier persona y el dispositivo host (robot Roomba).
- Declaración de exposición a la radiación de la ISED: Este producto cumple con el estándar canadiense RSS-102 respecto de los límites de exposición a RF de dispositivos móviles, definidos para un entorno no controlado, y es seguro para los propósitos de funcionamiento deseados según lo descrito en este manual. De acuerdo con los requisitos de la ISED, mantén una distancia de más de 20 cm (8 pulgadas) entre cualquier persona y el robot.

iRobot Corporation, 8 Crosby Drive, Bedford, MA 01730 EE. UU.  
<https://global.irobot.com>

Para obtener información sobre el reciclaje de las baterías, visita [call2recycle.org](http://call2recycle.org) o llama al 1-800-822-8837.



### Fuente de alimentación externa

Solo utiliza el modelo de adaptador de fuente de alimentación externa aprobado para tu región.

NÚMERO DE MODELO	REGIÓN
APA-NA	NA
APA-EU	EU
APA-UK	UK
APA-JP	JP
APA-AS	AS/NZS
APA-BR	BR
APA-AG	AG
APA-IN	IN
APA-TH	TH

# Atención al cliente de iRobot

## EE. UU. y Canadá

Si tienes preguntas o comentarios sobre la estación de vaciado de la suciedad, comunícate con iRobot antes de comunicarte con un distribuidor.

Para comenzar, puedes visitar [global.irobot.com](https://global.irobot.com) para obtener consejos de soporte, respuestas a preguntas frecuentes e información sobre los accesorios. También puedes encontrar esta información en la app iRobot Home. Si necesitas más ayuda, llama al equipo de Atención al cliente en EE. UU. al (877) 855-8593.

### Horarios de Atención al cliente de iRobot en EE. UU.

De lunes a viernes, de 9 a. m. a 9 p. m. (hora del este)  
Sábados y domingos, de 9 a. m. a 6 p. m. (hora del este)

## Fuera de EE. UU. y Canadá

Visita [global.irobot.com](https://global.irobot.com) para lo siguiente:

- Obtener más información sobre iRobot en tu país.
- Obtener sugerencias y consejos para mejorar el rendimiento del producto.
- Obtener respuestas a preguntas.
- Comunicarte con tu centro local de soporte.

## Para Mexico Solamente

### IMPORTADOR:

Nestek de México S.A. de C.V.

Calle Emiliano Zapata No. 42, Col. Ex Hacienda Doña Rosa, Lerma de Villada,  
Edo de Mex, C.P. 52000

Información a Clientes Tel: 01 800 716 7138

Correo: irobot@nestek.com.mx

Horario de Atención: lunes a viernes de 9:00 am a 18:30 pm

### CENTRO AUTORIZADO DE SERVICIO:

TYSSA Tecnología y Servicio

Av. Guadalupe No. 150 Col. Guadalupe Proletaria Deleg. Gustavo A. Madero,  
Ciudad de México, C.P. 07670

Tel: 01 800 5037 866

Correo: servicio.irobot@gmail.com

Horario de Atención: lunes a viernes de 9:00 am a 18:00 pm

### ESTA GARANTÍA NO ES VÁLIDA EN CUALQUIERA DE LOS SIGUIENTES CASOS

- Cuando el producto se hubiese utilizado en condiciones distintas a las normales
- Cuando el producto no hubiese sido operado de acuerdo con el instructivo de uso que se le acompaña
- Cuando el producto hubiese sido alterado o reparado por personas no autorizadas por NESTEK
- Cuando el producto se hubiese mojado en cualquiera de sus partes (SOLO PARA EL MANUAL DE LA ROOMBA)
- Cuando el producto se hubiese mojado en cualquiera de sus partes (Excluyendo almohadillas y el depósito de agua) (SOLO PARA EL MANUAL DE LA BRAAVA)
- Cuando el producto se hubiese limpiado con agua (limpiar solo con un trapo húmedo) (SOLO PARA MANUAL DE LA ROOMBA)
- Cuando el producto se hubiese limpiado de forma incorrecta (Limpiar solo con un trapo húmedo) (SOLO PARA EL MANUAL DE LA BRAAVA)
- Cuando el producto se hubiese utilizado en superficies húmedas o mojadas (SOLO PARA MANUAL DE LA ROOMBA)

### Conserve su garantía

¡EVITE QUE SU EQUIPO TENGA CUALQUIER CONTACTO CON EL AGUA!  
(SOLO PARA EL MANUAL DE LA ROOMBA)

[www.irobot.mx](http://www.irobot.mx)

***iRobot***

©2023 iRobot Corporation, 8 Crosby Drive, Bedford, MA 01730 EE. UU. Todos los derechos reservados. iRobot y Roomba Combo son marcas comerciales registradas de iRobot Corporation. Wi-Fi y el logotipo de Wi-Fi son marcas comerciales registradas de Wi-Fi Alliance. Apple y App Store son marcas comerciales de Apple, Inc., registradas en los EE. UU. y otros países. Google Play es una marca comercial de Google LLC.



4837906 vA